

DOT-X

Displays by Dotronix

DNR III SERIES DISPLAY 20 and 27 inch



DOT-X
Displays by Dotronix
160 FIRST STREET S.E.
ST. PAUL, MN 55112-7894
PHONE 651-633-1742
FAX: 651-633-1065
www.dotronix.com

PRECAUTIONS

This monitor contains circuits and components designed to meet specific performance and safety requirements. No component changes may be made without the written permission of the manufacturer.

To prevent electrical shock, do *not* attempt to disassemble the monitor. There are no user-serviceable parts inside. Servicing, if required, should be performed only by qualified service technicians familiar with the equipment and safety procedures. **Servicing by unauthorized personnel may be dangerous and will void the warranty.**

Do not use this monitor beyond its temperature and humidity range. This unit is designed for indoor use. Ambient temperature range must not be above 113°F or below 32°F. Avoid using this monitor when the humidity is either above 95% or less than 5%. Do not block the ventilation slots on the rear side of the monitor. Allow for normal ventilation.

Position the monitor to avoid direct sunlight on the picture tube. Generally, adjust the monitor for proper lighting and monitor position to minimize undesirable reflections.

All rights reserved. No part of this publication may be reproduced, stored in a retrieval system, or transmitted, in any form or by any means, mechanical, photocopying, recording or otherwise, without the prior written permission of Dotronix, Inc. No patent liability is assumed with respect to the use of the information contained herein. Where every precaution has been taken in the preparation of this manual, Dotronix, Inc. and the author assume no responsibility for errors or omissions. Neither is any liability assumed for damage resulting from the use of the information contained herein.

Specifications are subject to change due to technological progress.

© Copyright 1999, Dotronix, Inc.
Publication No.01074 Rev. A
160 First Street S.E.
St. Paul, MN 55112-7894, USA

Dotronix Limited Warranty

Dotronix warrants that for one (1) year from date original purchase, it will, at its option, repair, replace or refund the purchase price of any product which it manufactured that proves defective in material or workmanship in normal use and service.

To obtain service under this Warranty, contact Dotronix Inc. at the address below, within one (1) year of original purchase, to receive a Return Material Authorization (RMA) number. Then ship the product believed to be defective, transportation prepaid, for inspection.

Dotronix shall not be responsible for unauthorized returns that do not list the RMA number and quantity returned on the outside of the shipping container (i.e. on packing list in plain view).

For products supplied without a frame (Less CRT and Printed Circuit Board Mounting), the buyer must inspect the products within ten (10) days of receipt. After ten (10) days have lapsed, there shall be no warranty coverage for broken or damaged parts, or misalignment (i.e. broken torque seals where used). The products will be packed to allow Buyer to test the unit within its packing carrier.

This Warranty applies only to goods manufactured by Dotronix Inc. Various component parts manufactured by others (such as cathode ray tubes, semi-conductors, and fuses) are covered by the separate warranty of their manufacturers. Where Dotronix, Inc. warranty differs, only the warranty of the original component part manufacturer is offered. Of course, the Dotronix warranty does not apply to CRT's that are scratched, broken, burned or have imperfections in any special coatings. It also does not apply to products which have been altered, damaged, abused, or subjected to misuse, or repaired by anyone other than an authorized Dotronix repair person.

These displays require DHHS traceability under sub-part E, Section 1002.40 of the Regulations for the Administration and Enforcement of the Radiation Control for Health and Safety Act of 1968. It is the customer's responsibility to maintain records that satisfy this requirement.

THE TERMS OF THIS WARRANTY CONSTITUTES THE BUYER'S SOLE AND EXCLUSIVE REMEDY AGAINST DOTRONIX. THERE IS NO IMPLIED WARRANTY OF MERCHANTABILITY OR FITNESS FOR A PARTICULAR PURPOSE. UNDER NO CIRCUMSTANCE SHALL DOTRONIX BE LIABLE FOR INCIDENTAL AND CONSEQUENTIAL DAMAGES, OR IN ANY AMOUNT BEYOND THE REPLACEMENT COST OF THE ALLEGEDLY DEFECTIVE PART, REGARDLESS OF THE THEORY OF RECOVERY.

All products returned to Dotronix must include:


1. A tag or label on each unit with a description of the defect or reason for return, or identify each unit on the packing list by serial number and defect.
2. A packing list attached to the outside of the shipping container showing the Return Authorization Number (RMA) and the quantity returned.

Products returned that are not identified in accordance with the above procedure will be refused and returned at Buyer's expense.

To obtain a Return Material Authorization (RMA) number contact:


DOTRONIX INC.
160 First Street S.E. • St. Paul • Minnesota • 55112-7894
Phone 651-633-1742 • FAX 651-633-1065

AVAILABLE MENUS 18
 BASIC MENU OPERATION 18
 CRT COATINGS OPTION 14
 GETTING STARTED 8
 IMPORTANT SAFETY INSTRUCTIONS 3
 INTRODUCTION 8
 MECHANICAL DIMENSIONS-CUBE 10
 MECHANICAL DIMENSIONS-WEDGE 11
 MENU-AVAILABLE 18
 MENU-BASIC OPERATION 18
 MENU-SERVICE 20
 MENU-SETUP 19
 PRECAUTIONS 2
 REAR CONTROLS 12
 REGULATORY NOTICES 7
 REMOTE CONTROL 16
 REMOTE CONTROL, STYLE 2 17
 SAFETY WARNINGS 3
 SERVICE MENU 20
 SERVICE MODULE INPUT 15
 SETUP MENU 19
 SPECIFICATIONS 9
 WALL INSTALLATIONS 13
 WARRANTY, DOTRONIX LIMITED 27



WARNING

RISK OF ELECTRIC SHOCK
DO NOT OPEN



WARNING:

TO REDUCE THE RISK OF ELECTRIC SHOCK, DO NOT REMOVE COVER OR BACK. NO USER SERVICEABLE PARTS INSIDE. REFER TO QUALIFIED SERVICE PERSONNEL.

The lightning flash with arrowhead symbol within an equilateral triangle is intended to alert the user to the presence of uninsulated “dangerous voltage” within the product’s enclosure that may be of sufficient magnitude to constitute a risk of electric shock to persons.

The exclamation point within an equilateral triangle is intended to alert the user to the presence of important operating and maintenance (servicing) instructions in the literature accompanying the appliance.

SAFETY TIPS

Refer to the “Important Safety Instructions” section of this operating guide for important safety considerations.

WARNING

TO PREVENT FIRE OR SHOCK HAZARDS, DO NOT EXPOSE THIS PRODUCT TO RAIN OR MOISTURE.

NOTE TO CABLE TV SYSTEM INSTALLER

This reminder is provided to call the cable TV system installer’s attention to Article 820-40 of the National Electrical Code (U.S.A.). The code provides guidelines for proper grounding and, in particular, specifies that the cable ground shall be connected to the grounding system of the building, as close to the point of the cable entry as practical.

IMPORTANT SAFETY INSTRUCTIONS

Your product has been manufactured and tested with your safety in mind. However, improper use can result in potential electrical shock or fire hazards. To avoid defeating the safeguards that have been built into your new product, please read and observe the following safety points when installing and using your new product, and save them for future reference. Observing the simple precautions discussed in this section of the operating guide can help you get many years of enjoyment and safe operation from your new product.

1. Read Instructions

Read all the safety and operating instructions before operating the product.

SAFETY WARNINGS

2. Follow Instructions

Follow all operating and use instructions.

3. Retain Instructions

Keep the safety and operating instructions for future reference.

4. Heed Warnings

Follow all warnings on the product and in the operating instructions.

5. Cleaning

Unplug this product from the wall outlet before cleaning. Do not use liquid cleaners or aerosol cleaners. Use a damp cloth for cleaning.

6. Water and Moisture

Do not use this product near water—for example, near a bath tub, wash bowl, kitchen sink, laundry tub, in a wet basement, or near a swimming pool.

7. Accessories

Do not place this product on an unstable cart, stand, tripod, bracket, or table. The product may fall, causing serious injury to a child or adult, and serious damage to the product. Use only with a cart, stand, tripod, bracket, or table recommended by the manufacturer or sold with the product. Any mounting of the product should follow the manufacturer's instructions, and should use a mounting accessory recommended by the manufacturer.

8. Transporting Product

Move product and cart combinations with care. Quick stops, excessive force, and uneven surfaces may cause the product and cart combination to overturn.



PORTABLE CART WARNING

9. Attachments

Do not use attachments not recommended by the product manufacturer as they may cause hazards.

10. Ventilation

Slots and openings in the cabinet must not be blocked or covered. They are provided for ventilation, to ensure reliable operation, and to protect from overheating. Never block the openings by placing the product on a bed, sofa, rug or other similar surface. This product should not be placed in a built-in installation such as bookcase or rack unless proper ventilation is provided or the manufacturer's instructions have been adhered to.

11. Power Source

Operate this product only from the type of power source indicated on the marking label. If you are not sure of the type of power supply to your home, consult your product dealer or local power company. For products intended to operate from battery power or other sources, refer to the operating instructions.

SERVICE MENU

48 WIDE BAND	This is low frequency separation. The range is 0 to 63. Default setting is 31.
49 MAX BLK HRS	Maximum amount of hours before the Parental Control password expires. Range 0 to 99. Not used.
50 STEREO	Enables stereo circuitry if present. Range is 0 to 1.
51 RADIO	Enables Radio circuitry if present. Range is 0 to 1.
52 AUX	Enables Aux. sources. Range is 0 to 1.
53 V-CHIP	Enables Parental Control. Range is 0 to 1. Not used.

___ Underlined commands are used most often.

Should further adjustment or alignment be necessary contact DOTRONIX, INC. customer service.

SERVICE MENU

- 33 RF AGC** The range is from 0 to 63. Default setting is 48, Tune in the weakest channel and adjust for a snow free picture.
- 34 HORZ AFC** There are two settings 0 and 1. Default setting is 0.
- 35 WHITE COMP** (White PK Level) The range is 0 to 1. Default setting is 0.
- 36 60Hz SW** The range is 0 to 2. Sync stability item. 0 is off. Default setting is 2.
- 37 PIF VCO** The range is 0 to 127.
- ITEMS 38 THROUGH 52 VARIES WITH CRT.**
- 38 RED CUT** B & W tracking adjustment. The range is 0 to 255. Default setting is 20.
- 39 GRN CUT** B & W tracking adjustment. The range is 0 to 255. Default setting is 0.
- 40 BLUE CUT** B & W tracking adjustment. The range is 0 to 255. Default setting is 28.
- 41 GRN GAIN** B & W tracking adjustment. The range is 0 to 255. Default setting is 45.
- 42 BLUE GAIN** B & W tracking adjustment. The range is 0 to 254. Default setting is 70.
- 43 6 KEY SYS** Keyboard type. Set to 1 for 6 key and 0 for 10 key.
- 44 A ATT** Input level adjustment. The range is 0 to 15.
- 45 A VCO** (Stereo Voltage Controlled Oscillator) The range is 0 to 63. Default setting is 10 to 39.
- 46 A FILTER** (Second Audio Program Voltage Controlled Oscillator) The range is 0 to 63. Default setting is 31.
- 47 ASPECTRL** This is high frequency separation. The range is 0 to 63. Default setting is 31.

SAFETY WARNINGS

12. Line-Cord Polarization

This product is equipped with a polarized alternating-current line plug (a plug having one blade wider than the other). As a safety feature, this plug will fit into the power outlet only one way. If you are unable to insert the plug fully into the outlet, try reversing the plug. If the plug still fails to fit, contact your electrician to replace your obsolete outlet. Do not defeat the safety purpose of the polarized plug.

Alternate Warnings-This product is equipped with a three-wire grounding-type plug, a plug having a third (grounding) pin. This plug will only fit into a grounding-type power outlet. This is a safety feature. If you are unable to insert the plug into the outlet, contact your electrician to replace your obsolete outlet. Do not defeat the safety purpose of the grounding-type plug.

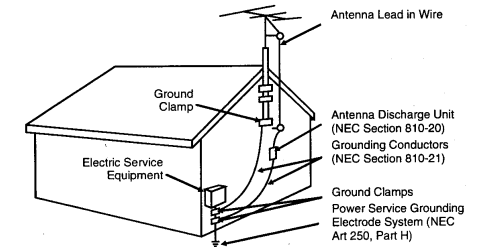
13. Power-Cord Protection

Route power supply cords so that they are not likely to be walked on or pinched by items placed upon or against them, paying particular attention to cords at plugs, convenience receptacles, and the point where they exit from the product.

14. Outdoor Antenna Grounding

If an outdoor antenna or cable system is connected to the product, be sure the antenna or cable system is grounded so as to provide some protection against voltage surges and built-up static charges. Article 810 of the National Electrical Code (U.S.A.), ANSI/NFPA 70 provides information with regard to proper grounding of the mast and supporting structure, grounding of the lead-in wire to antenna discharge unit, connection to grounding electrodes, and requirements for the grounding electrode.

EXAMPLE OF GROUNDING ACCORDING TO NATIONAL ELECTRICAL CODE INSTRUCTIONS



NEC - NATIONAL ELECTRICAL CODE

15. Lightning

For added protection for this product (receiver) during a lightning storm, or when it is left unattended and unused for long periods of time, unplug it from the wall outlet and disconnect the antenna or cable system. This will prevent damage to the product due to lightning and power-line surges.

16. Power Lines

An outside antenna system should not be located in the vicinity of overhead power lines or other electric light or power circuits, or where it can fall into such power lines or circuits. When installing an outside

SAFETY WARNINGS

antenna system, take extreme care to keep from touching such power lines or circuits, as contact with them might be fatal.

17. Overloading

Do not overload wall outlets and extension cords, as this can result in risk of fire or electric shock.

18. Objects and Liquid Entry

Never push objects of any kind into this product through openings, as they may touch dangerous voltage points or short-out parts that could result in a fire or electric shock. Never spill liquid of any kind on the product.

19. Servicing

Do not attempt to service this product yourself, as opening or removing covers may expose you to dangerous voltage or other hazards. Refer all servicing to qualified service personnel.

20. Damage Requiring Service

Unplug this product from the wall outlet and refer servicing to qualified service personnel under the following conditions:

- a. If the power supply cord or plug is damaged.
- b. If liquid has been spilled, or objects have fallen, into the product.
- c. If the product has been exposed to rain or water.
- d. If the product does not operate normally by following the operating instructions. Adjust only those controls that are covered by the operating instructions; improper adjustment of other controls may result in damage and will often require extensive work by a qualified technician to restore the product to its normal operation.
- e. If the product has been dropped or the cabinet has been damaged.
- f. If the product exhibits a distinct change in performance.

21. Replacement Parts

When replacement parts are required, be sure the service technician has used replacement parts specified by the manufacturer or that have the same characteristics as the original part. Unauthorized substitution may result in fire, electric shock, or other hazards.

22. Safety Check

Upon completion of any service or repairs to this product, ask the service technician to perform safety checks to determine that the product is in proper operating condition.

23. Wall or Ceiling Mount

Mount the product to a wall or ceiling only as recommended by the manufacturer.

24. Heat

Keep the product away from heat sources such as radiators, heat registers, stoves, or other products (including amplifiers) that produce heat.

SERVICE MENU

21 FUNCTION PRE	(Function Preview) The range is 0 to 1. 0 is off, and 1 is on. Set to 1 to suppress channel prev screen and enable user function menu with some pay per view systems. Not used.
22 FEATURE LEVEL	The range is 0 to 1. 0 is Zenith Private Label and 1 is Zenith. When item 11 and FEATURE LEVEL are set to 0, Private Label is inactive. Not used.
23 TRAP 3.58	This is the 3.58 MHz trap. 0 is off, 1 is on. Set to 1 for normal monitor operation. Set to 0 if Y/C is used or the chassis has a comb filter.
24 RF BAND PASS	(Rf Bandpass) Sets adjustment range of the customer control for brightness. The range is 0 to 1. Default setting is 1.
25 RF BRT	(RF Brightness) This sets the adjustment range of the customer control for brightness in the AUX Mode. The range is from 0 to 63. Default setting is 30.
26 AUX BRT	(Auxiliary Brightness) This sets the adjustment range of the customer control for brightness in the AUX Mode. The range is from 0 to 63. Default setting is 30.
27 MAX CONTRAST	(Maximum Contrast) This sets the adjustment range of the customer control for contrast. The range is from 0 to 63. Default setting is 63.
28 VERT SIZE	(Vertical Size) The range is from 0 to 254.
29 HORZ SIZE	(Horizontal Size) The range is from 0 to 254.
30 VERT PHASE	(Vertical Phase) The range is from 0 to 7. Default setting is 0.
31 HORZ PHASE	(Horizontal Phase) The range is 0 to 31. Default setting is 18.
32 AUD LEVEL	Sound Attenuation range is 0 to 63.

SERVICE MENU

11 HOSPITAL MODE	Not used. Leave default set to 0, which is off.
12 CHAN LOCK	Used in conjunction with #10 Start Channel/Volume. The range is 0 to 1. 0 is off, and 1 is on. Use Start channel to lock on a particular channel. When item is active, AUTO PROGRAM and CHANNEL ADD DEFEAT are not active.
13 GHOST CH.	The range is 0 to 1. 0 is off, 1 is on. In On Mode, channel number will stay on screen at all times, unless captions are present. The number moves slightly to prevent damage to screen. When captions are on, the "Ghost Channel" is not present.
14 SCAN MODE	The range is 0 to 3. Sets turn-off when channel scan buttons are being used. In 0 Mode, scan Off is inoperative. In position 1, set will turn off between auxiliary and lowest channel. In position 2, set will turn off between Aux and FM. In position 3, set will turn off after FM station scan.
15 TEXT MODE	Turns Text Mode on or off in the users menu. The range is 0 to 1. 0 is off, 1 is on. In On Mode, user can call up Text Mode. Set to 0 unless text is being used.
16 SLEEP TIMER	Enable sleep timer feature. The range is 0 to 1, 0 is off, 1 is on. Set to 1.
17 ALARM	Enables alarm feature. The range is 0 to 1. 0 is off, 1 is on. In Off Mode, alarm feature is not available. Set to 1.
18 CH. OVER RIDE	The range is 0 to 1. 0 is off, 1 is on. In On Mode, display will work normally. Generally set to Off so it can be controlled by entertainment unit. In Off mode, Auto Program, Channel Add/Delete and Channel Lock do not function.
19 OLD OCV	(On Commanl Video) The range is 0 to 1. 0 is off, 1 is on. Not used.
20 CAPTION LOCK	(Caption Lock) Two settings, 0 and 1. 0 is off, 1 is on. Set to 1 to restore previous On/Off state after monitor is initially turned on.

REGULATORY NOTICES

DHHS: This product complies with applicable DHHS Standards under the Radiation Control for Health and Safety Act of 1968.

X-Ray Precaution: This product includes critical electrical parts essential for X-radiation protection. Under *no* circumstances should the operator attempt to disassemble or modify the display.

WARNING: Changes or modifications not expressly approved by the party responsible for compliance with the FCC's rules (The FCC "Grantee") could void the user's authority to operate this equipment.

NOTE: This equipment has been tested and found to comply with the limits for a Class A digital device, following Part 15 of the FCC Rules. These limits are designed to provide reasonable protection against harmful interference when the equipment is operated in a commercial environment. This equipment generates, uses, and can radiate radio frequency energy and if not installed and used in accordance with this operation manual, may cause interference to radio communications. Operation of this equipment in a residential area is likely to cause harmful interference, in which case the user will be required to correct the interference at his or her own expense.

If necessary, the user should consult an experienced radio/television technician for additional suggestions. The user may find the following booklet prepared by the Federal Communications Commission helpful:

"How to Identify and Resolve Radio-TV Interference Problems"

This booklet is available from the U.S. Government Printing Office, Washington, DC 20402, Stock No. 004-000-00345-4.

It is necessary to use shielded interconnect cable with this monitor to insure compliance with FCC Class A limits for radio frequency emissions.

INTRODUCTION

Congratulations on your purchase of a new DNR III Series Display. The DNR III Series are available in a 20 and two 27 inch version in industrial metal cabinets.

This manual has been prepared to act as a guide in the operation of your monitor. Please read the following operating instructions carefully before using your monitor so that you are familiar with all of its features and capabilities. All precautions and safety warnings should be read and strictly observed.

UNPACKING THE MONITOR

To unpack your monitor:

1. Untape and open the top flaps of the packing carton. The monitor will be cushioned by foam inserts. The back of the monitor will be facing up.
2. With the top open, carefully roll the monitor carton so the top of the box is positioned down. Remove the monitor by lifting the box up and off the monitor and the inserts. **Caution:** A firm hold on the monitor must be constantly maintained while it is being removed from its packing carton.
3. Inspect the monitor thoroughly for any damage that might have occurred during shipping.
4. If any damage to the monitor is found, report it immediately to your shipping carrier.

DO NOT RETURN DAMAGED MERCHANDISE TO THE MANUFACTURER UNTIL AN APPROPRIATE CLAIM HAS BEEN FILED WITH THE CARRIER AND A RETURN MATERIAL AUTHORIZATION NUMBER (RMA) HAS BEEN RECEIVED FROM THE MANUFACTURER.

GETTING STARTED

1. Plug the power cord into a wall receptacle or power strip that will accept this type of plug.
2. Attach an input/output video cable (*not included*) from the NTSC VIDEO BNC or RCA CONNECTOR or RF-NTSC CONNECTOR TYPE F in the rear panel of the monitor to a compatible connector on your video equipment.
3. See remote control for specific operation. (page 16 and 17)

Should further adjustment or alignment be necessary contact DOTRONIX, INC. customer service.

SERVICE MENU

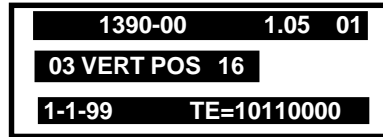
02 POWER MANAGE	(Power Manage) Range is 0 to 7. When set to 0, set works normally. One to seven is length of time (in hours) set will operate if not attended. When set nears turn off time an on screen message appears telling you to press any key to resume normal viewing.
03 VERT POS	Moves the On Screen Displays vertically. The range is from 0 to 25. Default setting is 5.
04 HORZ POS	Moves the On Screen Displays horizontally. The range is from 1 to 15. Default setting is 9.
05 BAND/AFC	There are eight positions. 0 is Broadcast fixed, 1 is CATV afc, 2 is HRC afc, 3 is ICC afc, 4 is Broadcast afc, 5 is CATV fixed, 6 is HRC fixed, 7 is ICC fixed. Band is automatically set when AUTO PROGRAM is used.
06 MIN VOLUME	Sets minimum volume level provided to the speaker. The range is 0 to 63. When item is set to 0, user has full adjustment capability. Allows adjustment to minimum volume level possible. Set to 0 or the desired minimum volume level. No internal speakers.
07 MAX VOLUME	Sets the maximum volume level provided to the speaker. The range is 0 to 63. When item is set to 63, user has full adjustment capability. Allows adjustment to maximum level. Set to 63 or the desired maximum volume level. No internal speakers.
08 AC ON	There are two positions; 0 is off and 1 is AC On. In the on position the set will turn on and off when AC Power is applied. Set will not respond to ON/OFF commands from either remote of control panel and Sleep Timer will not function.
09 KEY DEFEAT	Disables unmarked menu buttons on display control panel. The range is 0 to 1. 0 is off, 1 is on. Set to 1, which is on, to turn the keys off.
10 STRT CH/VOL	Determines the channel and the volume level that is selected automatically each time the display is turned on. The range is 0 to 255. 0 is Aux position and 255 is off. Use ADJUST to change the channel number. START VOLUME is to be set before setting the start channel. Use volume control to set volume level.

SERVICE MENU

Accessing the Service Menu can only be accomplished using the remote. Press and hold the Menu key until the User Menu display disappears, then press 9876, then ENTER to access Service Menu.

The black bar at the top indicates the part number of the software in the set. The date on the left of the black bar at the bottom indicates the date the module went through the factory, and at the right is a number indicating that the module has been tested.

When the Service Menu appears, it will always appear on the fourth item VERT POS. Use the SELECT UP/DOWN keys to toggle through all of the adjustments. Use ADJUST to make a change to the selected item.



(Example)

00 FACT MENU

(Factory Mode) Use the Select UP and DOWN keys to select item #00, which is the first item in the Service Menu, the Factory Mode. This item is used by the factory when the module is being tested. It has 2 positions, 0 and 1. In the field, this item should always be left "OFF". 0 is "Off"!

When the Factory Mode is Off, only the first 23 items in the Service Menu can be brought up. When the Factory Mode is set to 1, all 53 menu items will be available. In Factory Mode 2 position, all 53 menu items will be available. They will appear on the screen one at a time, at the top left of the screen.

When the Factory Mode is On, the AC power on feature is always enabled regardless of the setting of "AC ON" in the Service Menu. The set will automatically come on when AC is applied.

The hand control must be used to reenter the Service Menu to turn the Factory Mode off. The factory mode can also be turned off by setting the clock, or running the Auto Program feature in the customer Set Up menu.

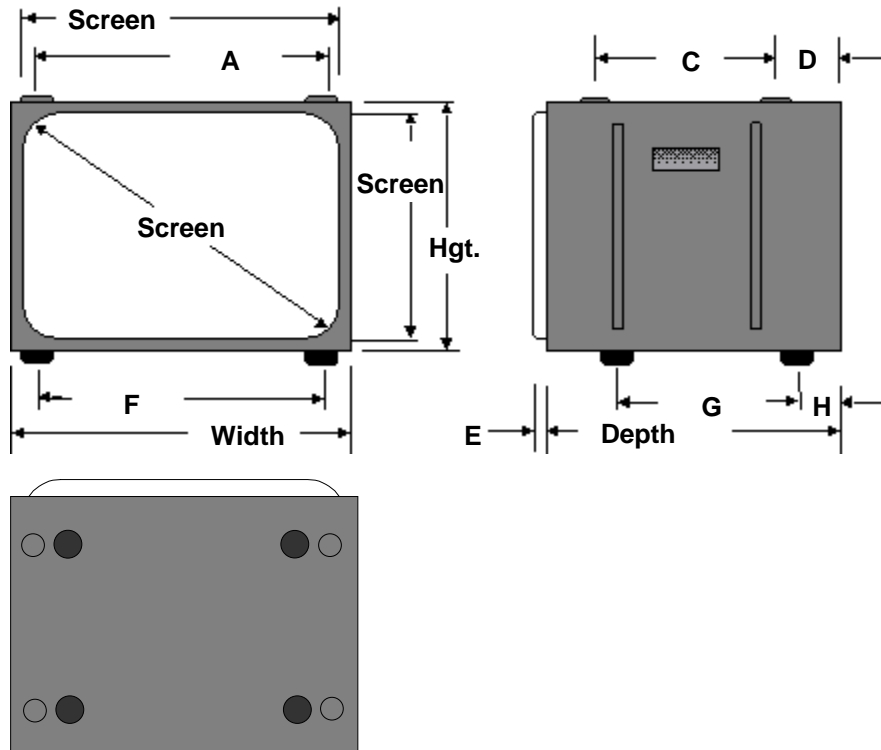
01 PRESET PX

This is used to store the customer menu adjustments in the nonvolatile memory of the EAROM. The selections are Custom/Presets-Store. Settings for Contrast, Brightness, Color and Tint are stored in this manner. 0 is custom and 1 is Preset stored.

SPECIFICATIONS

- Horizontal Scan Rate: 15.75 kHz \pm 500 Hz
 - Vertical Sweep Rate: 60 Hz \pm 5%
 - Video Bandwidth: 6 MHz (-3db)
 - CRT Sizes: 20-inch, • 27-inch
 - Resolution: 500 + lines
 - NTSC Video input through 75 ohm BNC connector or RCA connector
 - RF-NTSC connector type F
-
- Front Controls 20, 27: Brightness
w/Remote Control/ Contrast
Service Module Color
Sharpness
Tint
Picture Preference
 - Rear Controls: Focus, Screen
 - Power requirements: 120 VAC \pm 10%, 60 Hz
 - Power consumption: 100 W nominal 20" & 27" models
 - Operating Temperature: 0°C to +45°C
(+32°F to +113°F)
 - Storage Temperature: (-17°C to +70°C)
(0°F to +158°F)
 - Cooling: Convection cooling will be adequate for most installations. Internal cabinet temperature **must not** exceed 55°C (131°F).
 - Stackability: Maximum recommended size is six units by six units without additional support.
 - Agency Approvals: UL, CUL, FCC Class A

MECHANICAL DIMENSIONS-CUBE



MECHANICAL DIMENSIONS UNIT = INCH (MM)

NOTE- DNR20 DOES NOT HAVE HANDLES, STACKING DIMPLES ON BOTTOM OF CABINET.

DIMENSION		20 INCH	27 INCH
HEIGHT		15.0 (381)	19.1 (486)
WIDTH		18.3 (465)	24.1 (613)
DEPTH		17.1 (435)	18.4 (467)
VIEWABLE AREA	DIAG.	20.0 (508)	26.6 (675)
	HORIZ.	16.0 (406)	21.3 (540)
	VERT.	12.0 (305)	15.9 (405)
STACKING DIMPLE	A	14.9 (379)	22.0 (559)
LOCATIONS	C	12.8 (325)	12.0 (305)
CRT PROJECTION	D	1.7 (43)	3.4 (87)
FEET (IF USED)	E	1.7 (44)	2.5 (63.5)
WEIGHT SHIPPING	F	14.9 (379)	20.5 (520.7)
	G	10.8 (273)	12.0 (305)
	H	2.7 (68)	3.4 (87)
WEIGHT		60 LBS. (27 kg)	90 LBS. (41 kg)
SHIPPING		66 LBS. (30 kg)	100 LBS. (45 kg)

SETUP MENU

MENU OPTION	FUNCTION OF MENU OPTION
AUTO PROGRAM	Finds all active channels and stores them in the monitor's memory for use by the CHANNEL up/down keys.
ADD/DEL/BLNK	Edits the channel numbers found by the Auto Program feature to create you own list of favorite channels when using the CHANNEL up/down keys. Will default to lowest channel if power is interrupted. Note: The AUX channel code (used for external NTSC VIDEO INPUT) is 999 and ENTER.
CHANNEL LABELS	Assigns a network/station label, name or call letters to specified channels. For example, if you choose the label ABC for channel 13, then ABC will appear in the Channel/Time display whenever channel 13 is selected.
CLOCK SET	Used for setting the monitor's internal clock to the correct time.
TIMER SETUP	Sets the monitor's Sleep Timer and On/Off Timer features.
PARENTAL CTL	Use this feature to block viewing of any undesired channels, including the Video input source.
CAPTION/TEXT	Displays closed captioning or informational text when available on the selected channel. Options are: Off, Caption 1, Caption 2, Caption 3, Caption 4, Text 1, Text 2, Text 3, and Text 4. (At present, few programs or video tapes offer text captioning for any other option than Caption 1.)
LANGUAGE	Displays a choice of three different languages, English, Spanish or French.
AUDIO MODE	No internal speakers supplied. Stereo Directs the sound to the left and right speakers as supplied by the program source (broadcast TV/VCR, etc.) Audio Mode options are not available while the selected viewing source is Video. Audio from an auxiliary input source is assumed to be stereo.

AVAILABLE MENUS

Your monitor is menu operated. In other words, adjustments to the monitor are made via a list of choices which appear on your monitor screen. To view these menus, press the MENU key on the remote control. Press MENU repeatedly to toggle through the available menus.

Setup Menu
Auto Program
Add/Del/Blink
Ch. Labels
Timer Setup
Clock Set
Caption/Text
Language

Video Menu
Contrast
Brightness
Color
Tint
Sharpness
Picture Pref

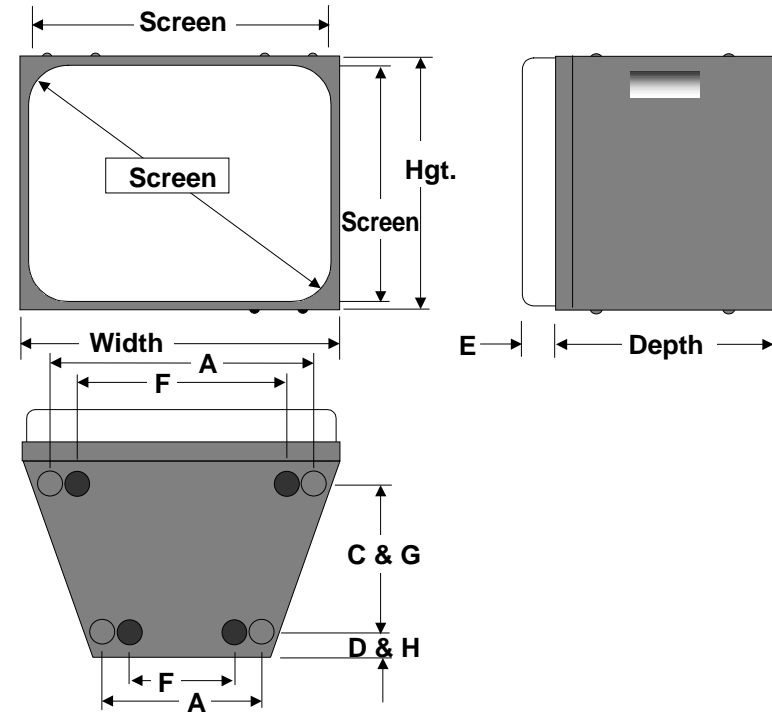
Audio Menu
Bass
Treble
Balance
Audio Mode
Front Surr
Soundrite

BASIC MENU OPERATION

The remote control buttons which are most frequently used for menu operations are shown here. In addition to these buttons, the number buttons may also be used where a number value is necessary, such as setting the time on the monitor.

Menu Option	Function
Auto Program	Finds and stores active channels with the CHANNEL Up/Down arrows.
Add/Del/Blink	Creates a list of favorite channels to use with CHANNEL Up/Down arrows.
Channel Labels	Assigns a network/station label, or call letters to channels. (Example: If you assign ABC to channel 13, then ABC will appear when you select channel 13.)
Timer Setup	Note: The clock in the monitor must be set before you can use the timers. <ol style="list-style-type: none"> 1. Sets the Sleep Timer and On/Off Timer. 2. The Sleep Timer programs the monitor to turn off after a period from 15 minutes up to 4 hours. 3. The On/Off Timer programs the monitor to turn on and off at specific times.
Clock Set	Sets the monitor's clock to the current time.
Caption/Text	Displays closed captions or text when available on the selected channel. Options are Off, Caption 1, Caption 2, Caption 3, Caption 4, Text 1, Text 2, Text 3, and Text 4.
Language	Displays a choice of three different languages, English, Spanish or French.

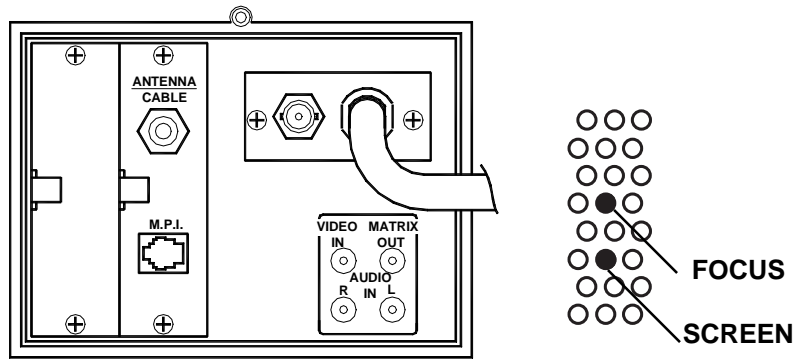
MECHANICAL DIMENSIONS-WEDGE



MECHANICAL DIMENSIONS UNIT = INCH (MM)

DIMENSION		27 INCH WEDGE
HEIGHT		19.1 (486)
WIDTH-FRONT		24.1 (613)
WIDTH-REAR		13.1 (333)
DEPTH		16.4 (418)
VIEWABLE AREA	DIAG. HORIZ. VERT.	26.6 (675) 21.3 (540) 15.9 (405)
STACKING DIMPLE LOCATIONS	A(FRONT) A(REAR) C D	20.0 (508) 12.7 (322) 10.0 (254) 3.4 (87)
CRT PROJECTION	E	2.5 (64)
FEET (IF USED)	F(FRONT) F(REAR) G	18.5 (470) 11.2 (284) 10.0 (254) 3.4 (87)
WEIGHT SHIPPING	H	90 LBS. (41 kg) 100 LBS. (45 kg)

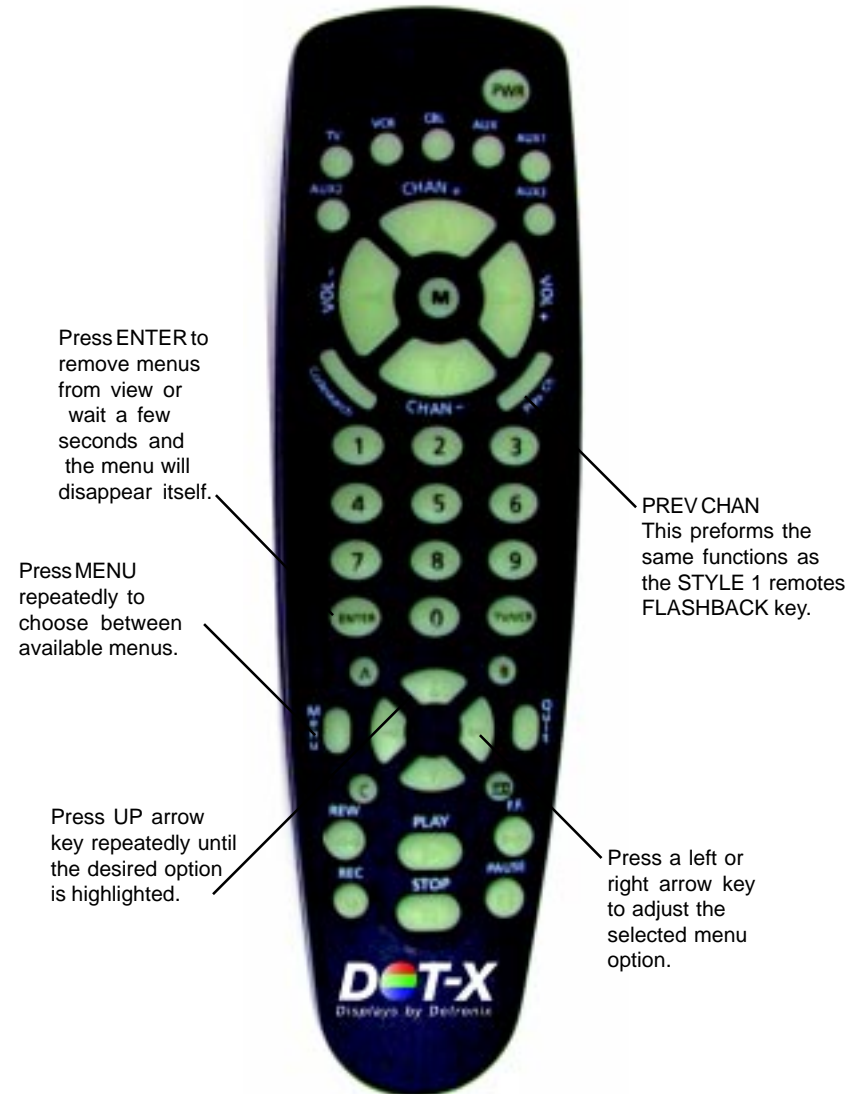
REAR CONTROLS DNR20 and DNR27



*** No internal speakers provided.**

NTSC VIDEO	□	INPUT THROUGH 75 OHM BNC CONNECTOR
NTSC VIDEO	□	INPUT THROUGH RCA CONNECTOR
RF-NTSC	□	CONNECTOR TYPE F
SCREEN DRIVE	□	Adjusts thru vent holes.
FOCUS CONTROL	□	Adjusts thru vent holes.

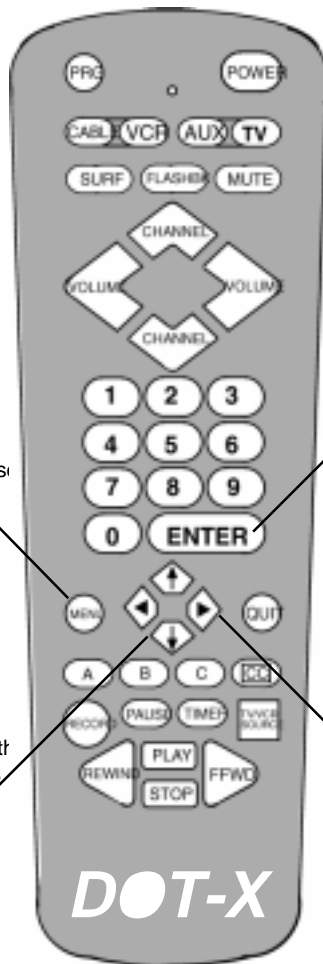
REMOTE CONTROL - STYLE 2



REMOTE CONTROL

The following has been prepared to act as a guide in the operation of your REMOTE CONTROL input equipped monitors. Please read the following operating instructions carefully so that you are familiar with all of its features and capabilities before using your service module. All precautions and safety warnings should be read and strictly observed.

REMOTE CONTROL



Press MENU repeatedly to choose between available menus.

Press an Up or Down arrow key repeatedly until the desired option is highlighted.

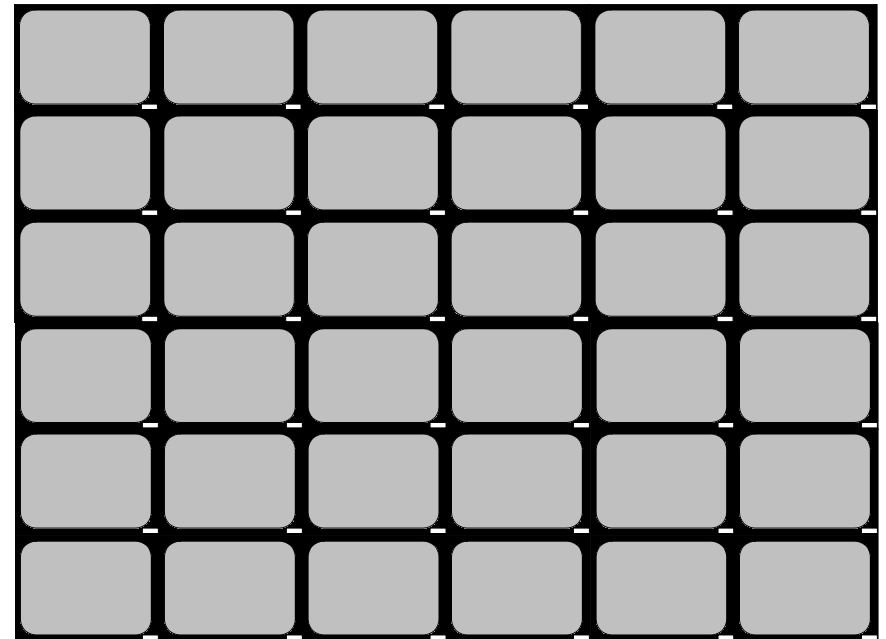
Press ENTER to remove menus from view or wait a few seconds and the menu will disappear itself.

Press a left or right arrow key to adjust the selected menu option.

WALL INSTALLATIONS

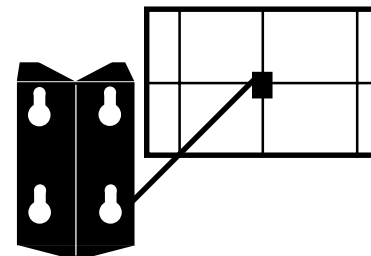
Cooling: Convection cooling will be adequate for most installations. Internal cabinet temperature **must not** exceed 55°C (131°F).

Stackability: Each monitor is enclosed in a heavy duty industrial metal cabinet. Maximum recommended stack size is six units by six units without additional support.



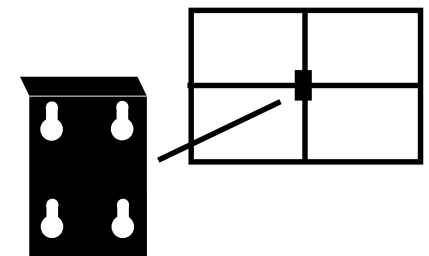
MOUNTING PLATE/ TIE BRACKET/WEDGE

Order Part Number
13027526-009



MOUNTING PLATE/ TIE BRACKET/CUBE

Order Part Number
13027526-007



CRT COATINGS OPTION

As an option a factory installed anti-glare coating may have been applied to the CRT surface of your monitor. Due to static electricity, the monitor screen will attract dust and under normal use will acquire fingerprints. Recognizing that most people will touch the screen sooner or later causing these fingerprints, we recommend you implement a simple cleaning program. The anti-glare coating on your monitor is very durable and will stand up to routine cleaning. To prevent damage when cleaning, use a non-abrasive household glass cleaner to remove smudges and fingerprints. Do **not** use cleaners, papers, or cloths which contain abrasives that may damage the coating. Highly abrasive materials, scouring pads or acid solutions **should not be used**. Care must be taken when handling and cleaning this surface.

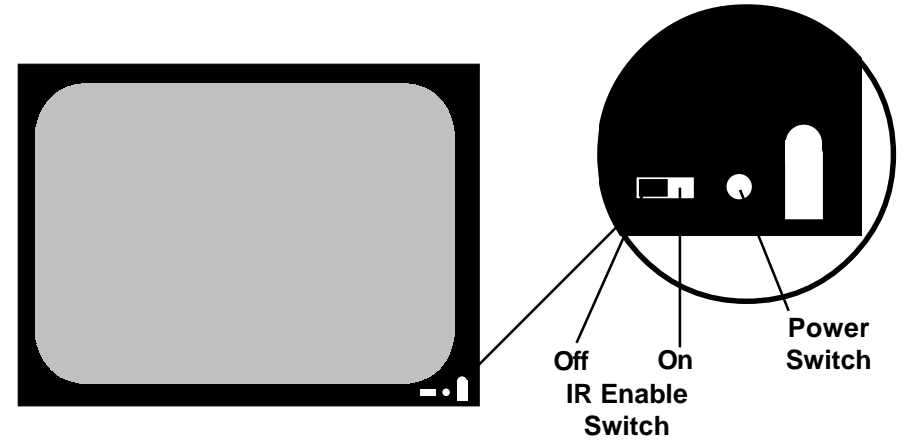
This monitor was inspected prior to shipment and found to meet Dotronix CRT coatings standard. The Dotronix warranty does not apply to CRT's that are scratched, or have imperfections in any special coatings.



Service Pack Contents

SERVICE MODULE INPUT W/REMOTE CONTROL

Service Module input is in the front lower right bottom of bezel.



Note: Manual power switch is inactive with HARC option installed.

CUSTOMER MENU

- BRIGHTNESS** Adjusts the brightness level of black areas in the picture.
- CONTRAST** Adjusts the overall contrast and color level of the picture.
- COLOR** Adjusts the intensity of the colors in the picture.
- SHARPNESS** Adjusts the definition of the object edges for best picture quality.
- TINT** Adjusts the color of the flesh tones to more red or more green.
- PICTURE PREF** Returns the display settings to their original factory settings.