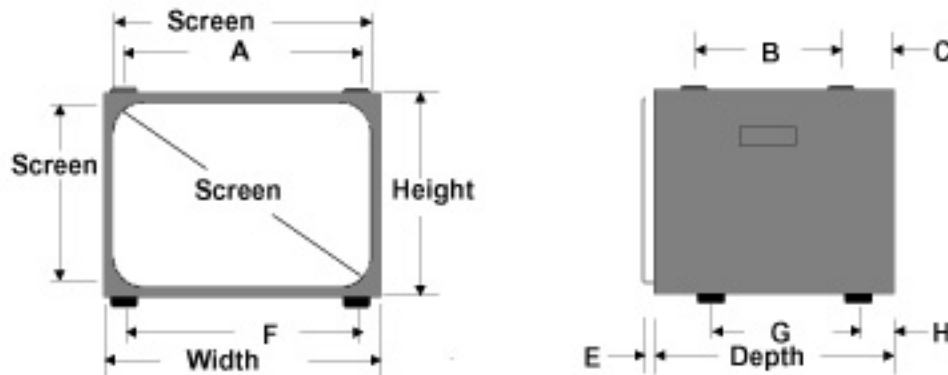


DNR Series

CRT (Cathode Ray Tube)
 HORIZONTAL FREQUENCY
 VERTICAL FREQUENCY
 VIDEO
 EXTERNAL REAR CONTROLS
 POWER
 INFRARED REMOTE CONTROL

CRT (Cathode Ray Tube)
 AGENCY COMPLIANCE
 WARRANTY
 OPERATING TEMPERATURE
 STORAGE TEMPERATURE
 OPTIONS

- 27 inch contrast enhancing darkglass
- 15.75 kHz \pm 500 Hz
- 60 Hz
- 6 MHz (-3db) • 500 + lines • NTSC video input through 75 ohm RCA phono plug • RF-NTSC (x2), S-video, Component video, Comp. video
- Focus Control • Screen Drive
- 120 VAC \pm 10%, 60 Hz • 100 W nominal
- Remote adjustment selections - Contrast, Brightness, Color, Tint, Sharpness, Picture Preference (factory preset), Factory Mode Adjustments
- Auto Degauss on power on • Resolutions are CRT dependent
- UL/CUL, FCC Class A
- Limited one year parts and labor
- 0°C to + 45°C (+32°F to + 113°F)
- -17°C to + 70°C (0° to +158°F)
- Anti-Glare • BNC Adapter



DIMENSIONS		27 INCH
HEIGHT		19.1 (486)
WIDTH		24.1 (613)
DEPTH		18.4 (467)
VIEWABLE	DIAG.	26.6 (675)
AREA	HORIZ.	21.3 (540)
	VERT.	15.9 (405)
STACKING	A	22.0 (559)
DIMPLE	B	12.0 (305)
LOCATIONS	C	3.4 (87)
CRT PROJECTION	E	1.8 (45)
FEET	F	20.5 (521)
(IF USED)	G	12.0 (305)
	H	3.4 (87)
WEIGHT		105 LBS.(48 kg)
SHIPPING		118 LBS.(53 kg)

inches (mm)

DOT-X
 Displays by Dotronix

160 First Street S.E. St. Paul MN 55112-7894
 Phone: 800-720-7218 651-633-1742
 Fax: 651-633-1065 Internet: www.dotonix.com

Specifications subject to change without prior notice. © 2001 Dotronix, Inc.
 Part No. 34000209-004 Rev. B